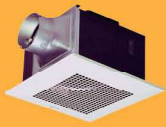


VENTILATING FAN



Ceiling Mount Type
09



Industrial Type
13

VENTILATING FAN

Ceiling Mount Type

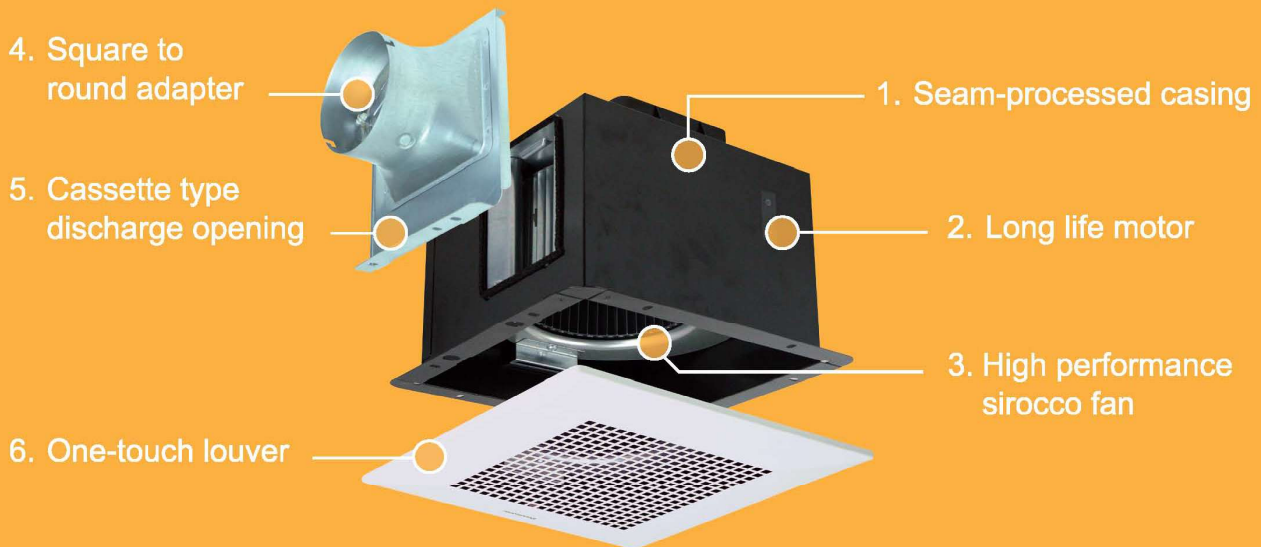


FV-24CMU1
FV-24CMD1
FV-24CMH1
FV-27CMD1
FV-27CMH1

These fans are installed in the ceiling connected with ductwork, by which indoor air is exhausted either through the roof or the exterior wall. Since they are mainly mounted inside the ceiling, the interior is not damaged.



DUCT-TYPE CEILING MOUNT VENTILATING FAN



- 1 Panasonic's unique seam-processed casing ensures strength and hermetic sealing.
- 2 The long life motor designed to withstand continuous operation is adopted in all models.
- 3 By adoption of high performance sirocco-fan reduces the noise level and sustains static pressure induced by long duct.
- 4 Adoption of detachable square to round adapter facilitating duct connection work.

- 5 Installation and removal of the main body can be performed easily even after completion of the duct work. Since the main body can easily be removed to the inside of the room, the access door is not required.
- 6 Installation and removal of the louver can be performed by finger touch, thereby permitting maintenance can be performed easily.

Specifications

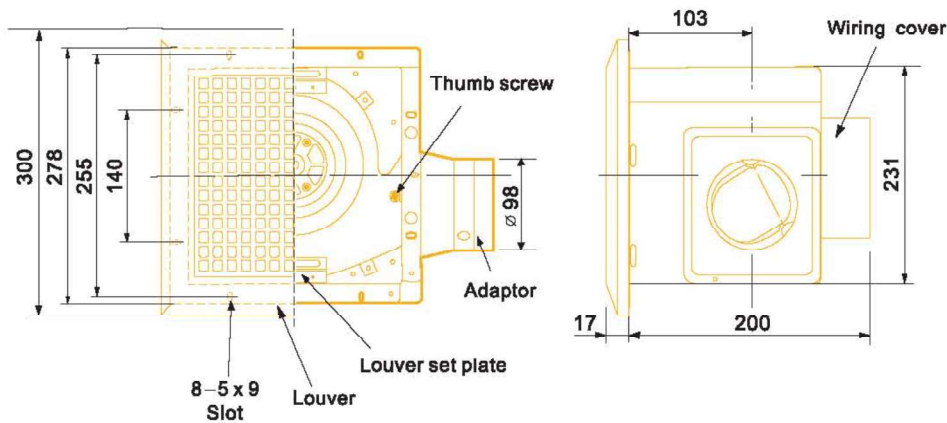
Main Components and Material

Components	Frame	Blade	Louver
Material	Steel	Steel	Steel

Model	Phase	Rating Voltage	Air Volume		Power Consumption [W]	Fan Speed [R.P.M]	Noise [dB(A)]	Weight [Kg]	Current [A]	Duct Diameter [mm]	Blade Diameter [mm]	Installation Size [mm]
			[CMH]	[l/s]								
FV-24CMU1	1	AC 220V/ 50Hz	100	28	11	495	26	3.8	0.06	100	158	240sq.
FV-24CMD1			165	46	18	670	33		0.09			
FV-24CMH1			210	58	25	800	38		0.11			
FV-27CMD1			300	83	26	520	32	5.6	0.12			
FV-27CMH1			400	111	43	620	38		0.21			

Dimensions

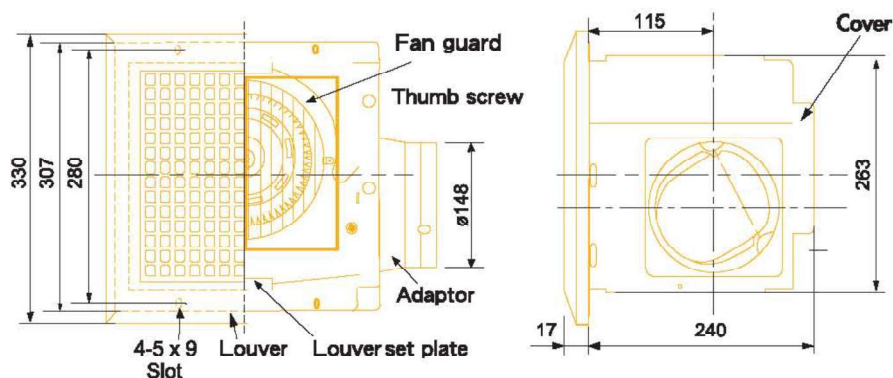
• FV-24CMU1 • FV-24CMD1 • FV-24CMH1



* Dimensions (mm)

Model	Installation Hole Size	Duct Diameter
FV-24CMU1 / FV-24CMD1 / FV-24CMH1	□ 240mm / 9.5 inch	Ø 100mm / 4 inch

• FV-27CMD1 • FV-27CMH1



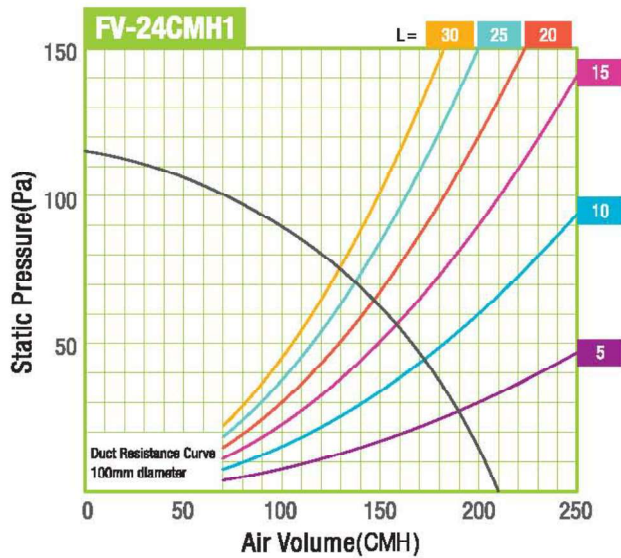
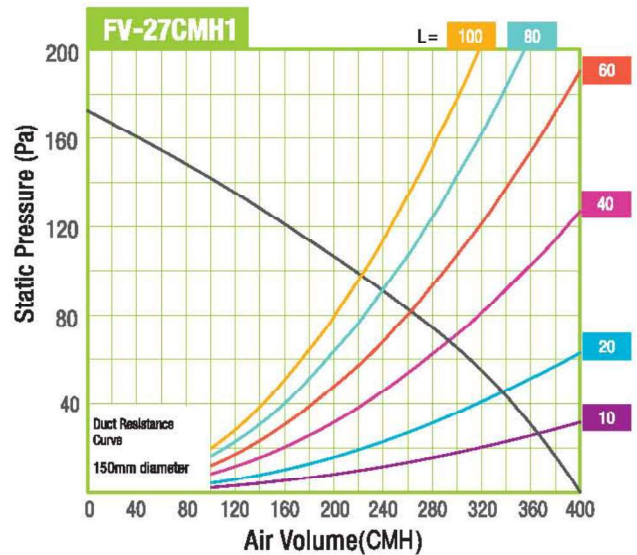
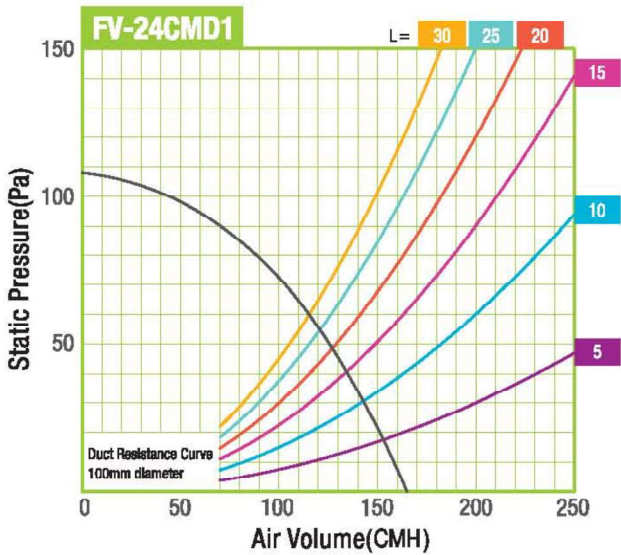
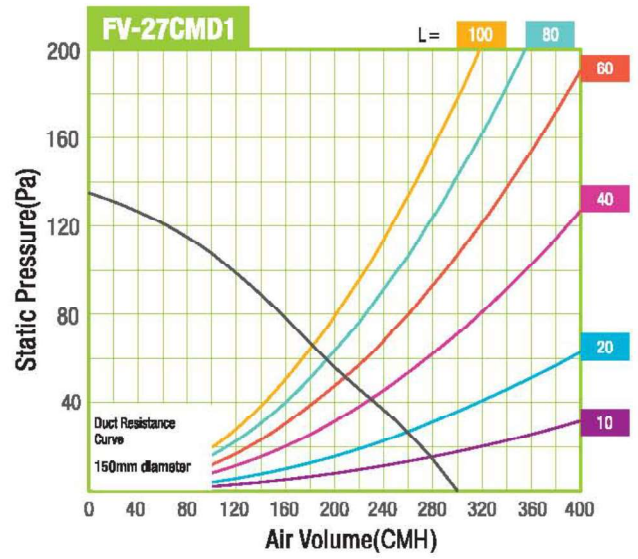
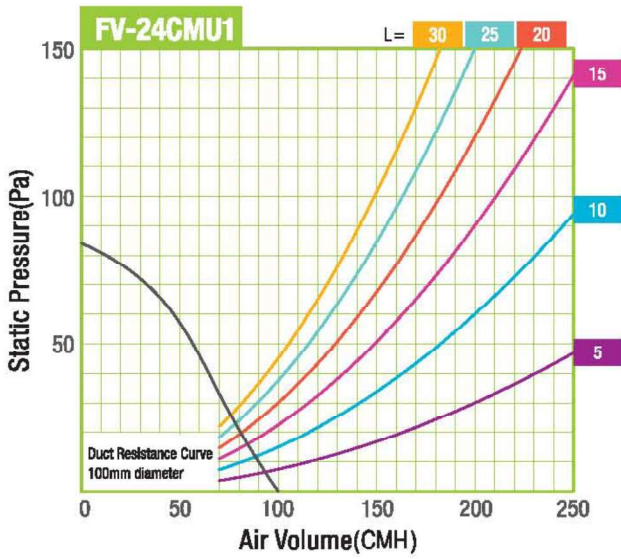
* Dimensions (mm)

Model	Installation Hole Size	Duct Diameter
FV-27CMD1 / FV-27CMH1	□ 270mm / 10.6 inch	Ø 150mm / 6 inch

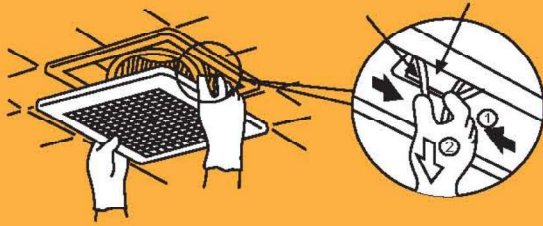
VENTILATING FAN

Ceiling Mount Type

Performance Data



Maintenance Method



1. Remove louver.



2. Wash and clean louver.



3. Remove dust and dirt on fan body by a cleaner.



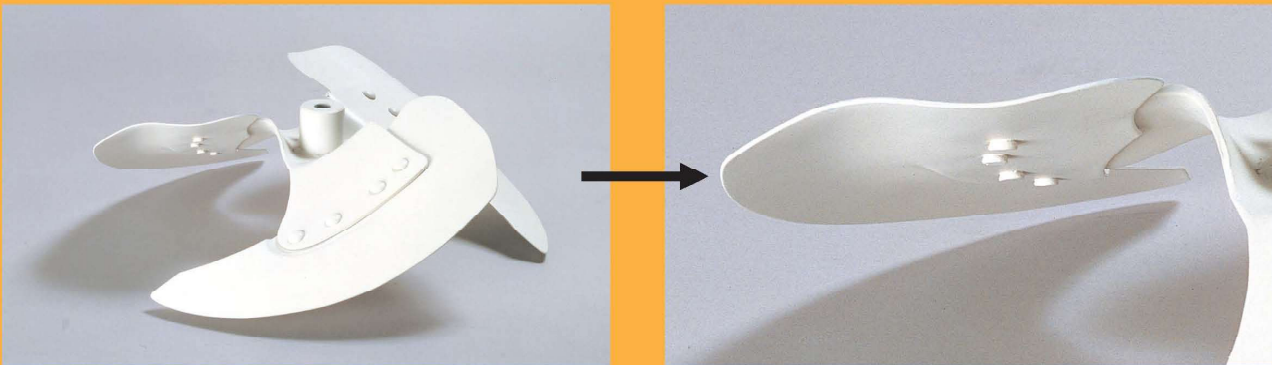
4. Using a cloth dampened with kitchen detergent, remove any dirt from fan body. Wipe dry with new cloth. Replace louver.

Industrial Type Ventilating Fan can be used in factories, warehouses, shops, commercial kitchens and other places where large air change is necessary. Particular models are applicable for the places being ventilated by duct pipe through which static pressure is relative high.

1 High Static Pressure, Low Power Consumption

The newly developed fan and original bellmouth construction enable operation with high static pressure and low power consumption.

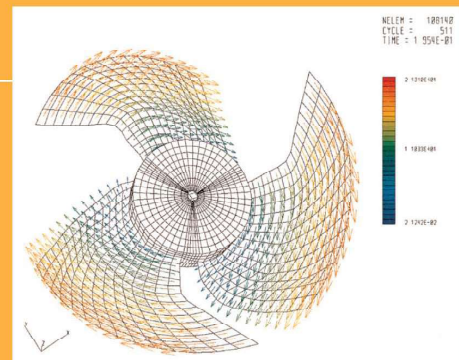
* Fan with 3-dimensional S-shaped cross-section blade



2 Low Noise Design

The fan blade's distinctive wave shape, developed using hydrodynamic analysis, delivers a smooth, turbulence-free airflow. The result is more air with less noise.

* Surface velocity vector diagram



3 High Durability

Pressure is distributed more uniformly over the surface of the new fan blade, making the blade more durable. A special polyester resin and powder coating give a beautiful color and a highly rust-resistant finish. These ventilating fans can be used in factories, warehouses, shops, commercial kitchens, and other places where a big air change is necessary, as well as in places ventilated by using ducts where the static pressure is relative high.



FV-25GS4
FV-30GS4
FV-35GS4



FV-40GS4
FV-45GS4
FV-50GS4
FV-60GS4
FV-45GT4
FV-50GT4
FV-60GT4

- Bell mouth construction with distinctive wave shape blade
- Durable powder coating
- Unique drain mechanism
- High performance totally enclosed motor with thermal cut-off
- Able to be used over an ambient temperature range of from -10°C to +50°C
- Possible to install horizontally or vertically

Single-phase, Reversible		Three-phase, Reversible
FV-25GS4 (25cm/10")	FV-40GS4 (40cm/16")	FV-45GT4 (45cm/18")
FV-30GS4 (30cm/12")	FV-45GS4 (45cm/18")	FV-50GT4 (50cm/20")
FV-35GS4 (35cm/14")	FV-50GS4 (50cm/20")	FV-60GT4 (60cm/24")
	FV-60GS4 (60cm/24")	

Specifications

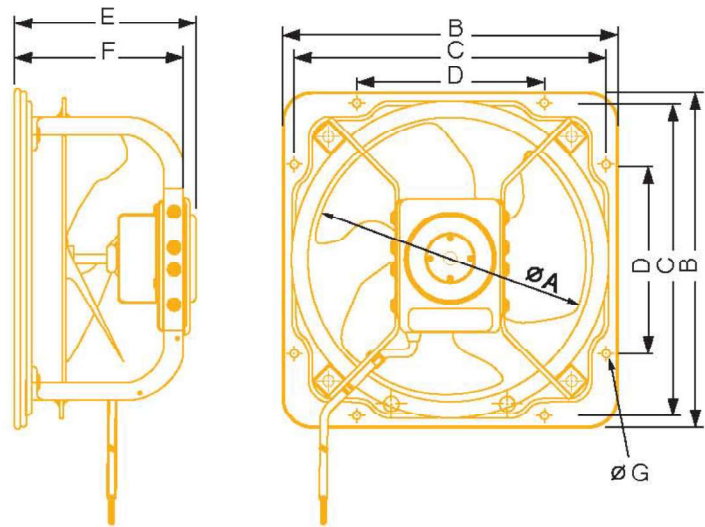
Model	Phase	Rating Voltage	Air Volume		Power Consumption [W]	Fan Speed [R.P.M]	Noise [dB(A)]	Weight [Kg]
			[CMH]	[l/s]				
FV-25GS4	1	220~240V / 50Hz	1,150	319	39	1,360	34	4.4
FV-30GS4			1,820	505	59	1,360	38	6.1
FV-35GS4			2,560	711	88	1,420	44	10.5
FV-40GS4			3,610	1,002	161	1,450	47	19
FV-45GS4			5,200	1,444	227	1,410	51	19
FV-50GS4			6,130	1,702	249	960	47	22.5
FV-60GS4			8,040	2,233	245	970	50	34
FV-45GT4	3	380~440V / 50Hz	5,420	1,505	240	1,460	52	18.5
FV-50GT4			7,240	2,011	350	1,400	54	28.5
FV-60GT4			9,700	2,694	340	960	50	34

VENTILATING FAN

Industrial Type

Dimensions

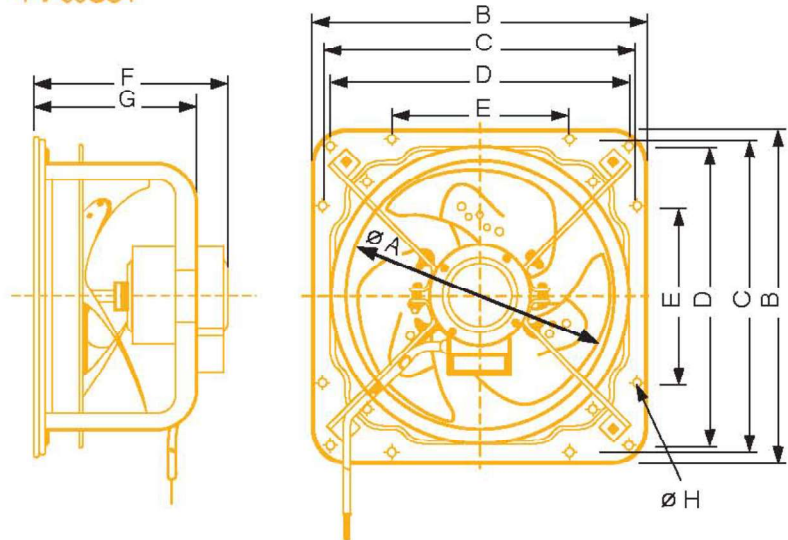
- FV-25GS4
- FV-30GS4
- FV-35GS4



unit : mm

Model	A	B	C	D	E	F	G
FV-25GS4	250	327	298	165	171	164	10
FV-30GS4	300	378	349	210	200	187	10
FV-35GS4	350	467	434	250	236	219	12

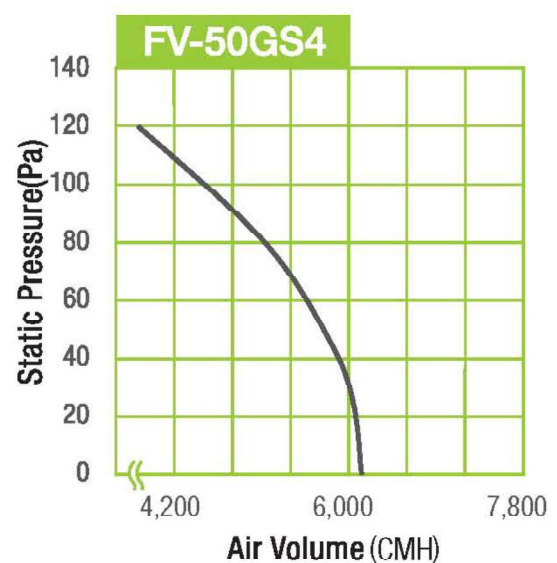
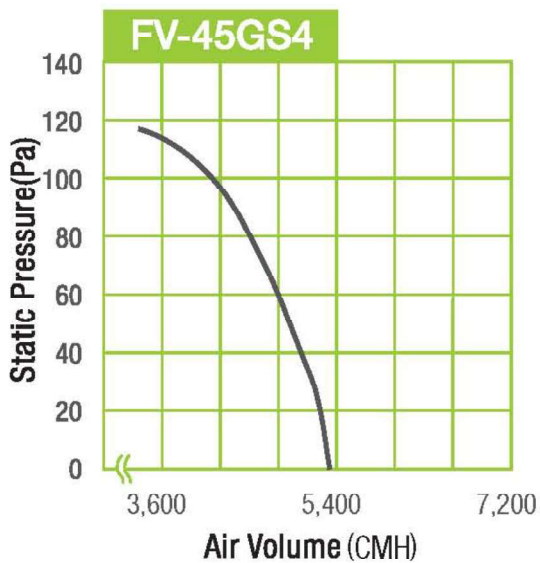
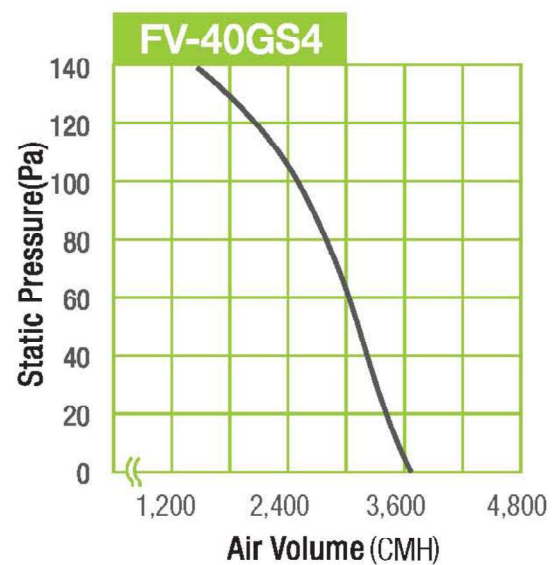
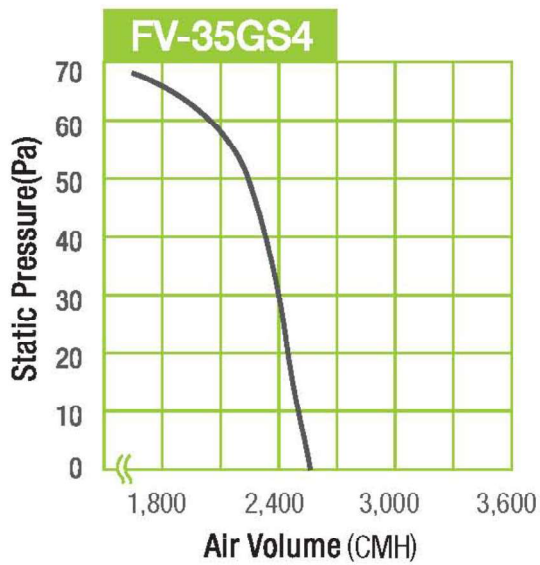
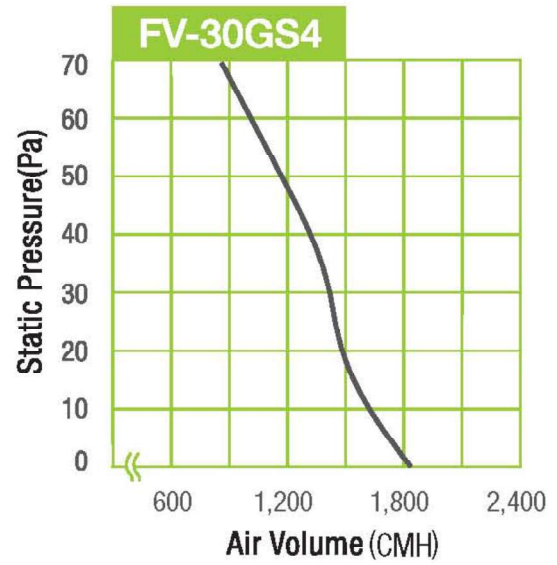
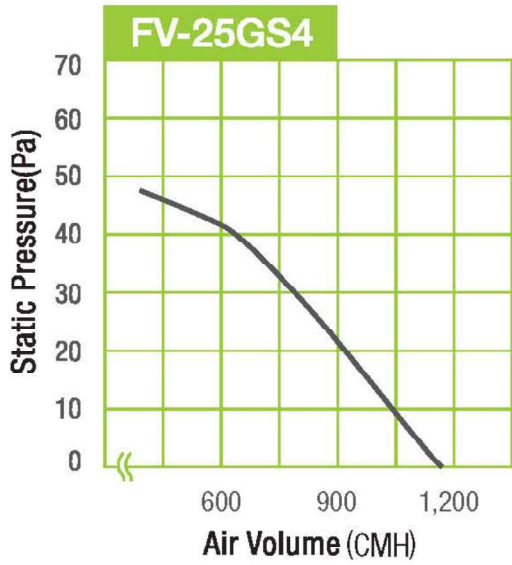
- FV-40GS4
- FV-45GS4
- FV-50GS4
- FV-60GS4
- FV-45GT4
- FV-50GT4
- FV-60GT4



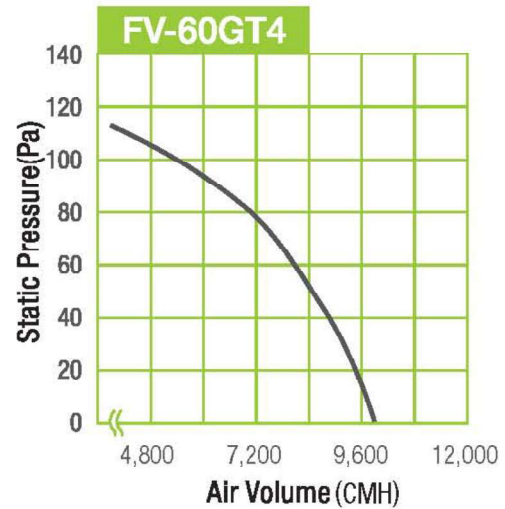
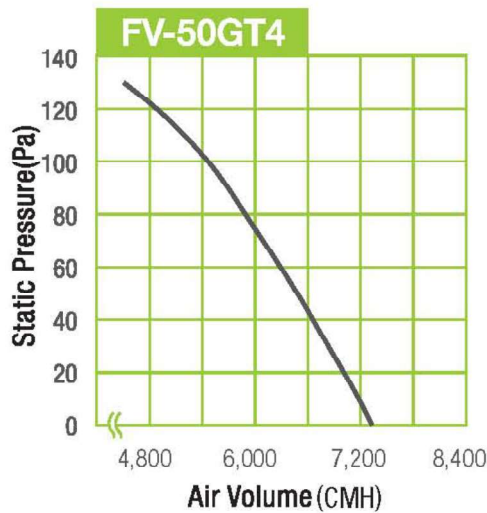
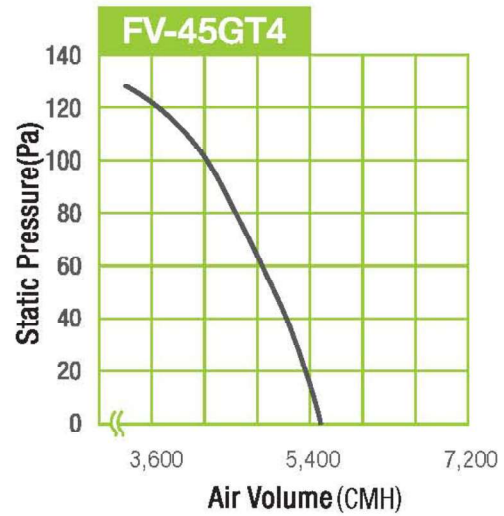
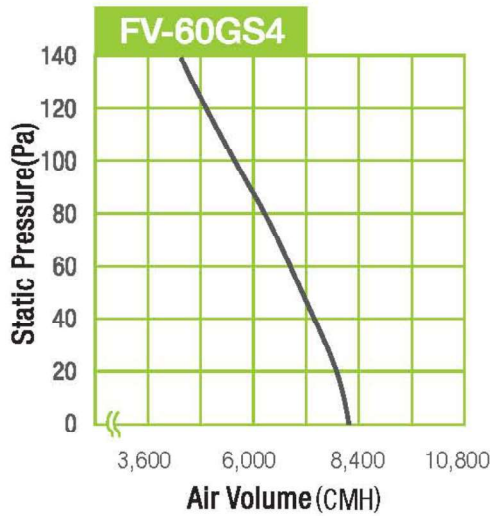
unit : mm

Model	A	B	C	D	E	F	G	H
FV-40GS4	400	518	485	460	280	274	225	12
FV-45GS4	450	570	540	-	320	297	248	12
FV-50GS4	500	659	620	560	355	315	266	15
FV-60GS4	600	760	720	650	400	320	262	15
FV-45GT4	450	570	540	-	320	297	248	12
FV-50GT4	500	659	620	560	355	304	246	15
FV-60GT4	620	760	720	650	400	320	262	15

Performance Data



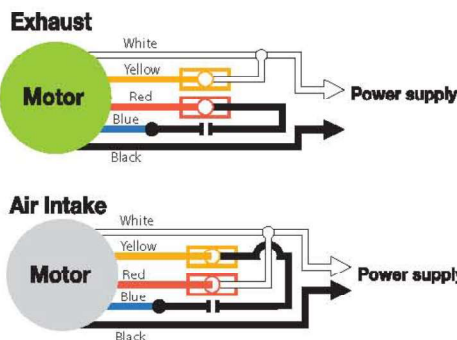
Performance Data



Wiring Diagram

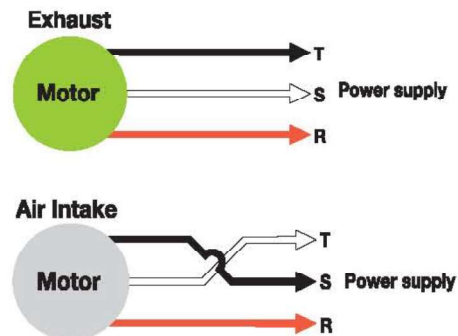
For single-phase models

- 1) Reverse the rotation in which the blade faces for reverse operation.
- 2) Please exchange the connections of the two terminals. (Red & Yellow)



For three-phase models

- 1) Reverse the rotation in which the blade faces for reverse operation.
- 2) Please exchange the connections of any two wires.



For Ceiling Mount Ventilating Fans & Air Moving Equipment



With Net

Without Net

FV-VGX100P

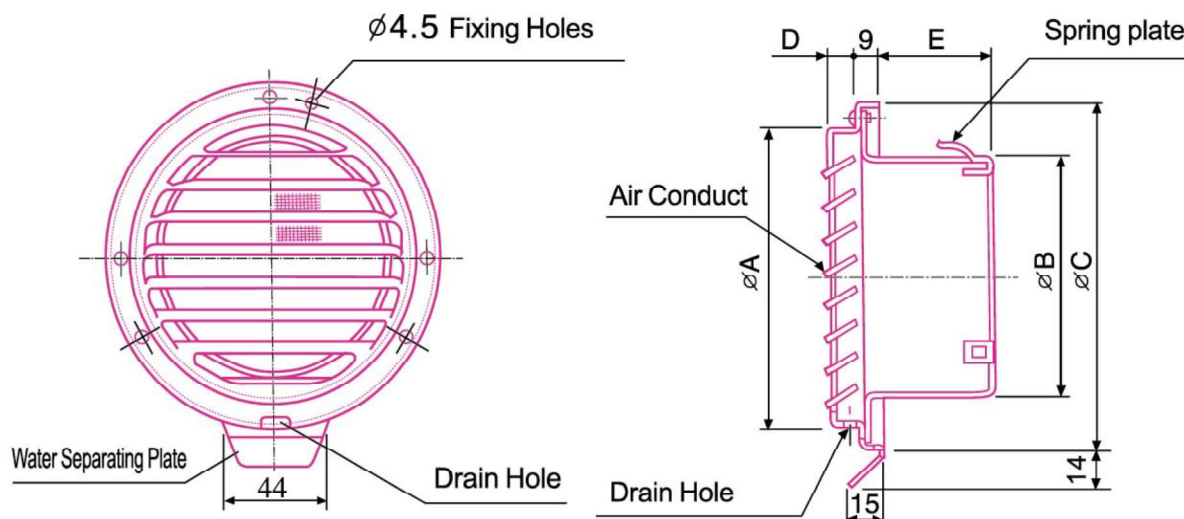
FV-VGX150P

FV-VCX100P

FV-VCX150P

- Round type vent cap
- 2.5x2.5mm net equipped to keep out ingress of small particles (FV-VGX100P, FV-VGX150P Only)
- High strength stainless steel adopted
- Coated with metallic silver paint prevent oxidation of material
- 3 pieces of spring clip allow easy connection of duct or pipe
- Applicable to diameter 100/150mm duct or pipe
- It is recommended to use with net type for intake purpose

Dimensions



Model	A	B	C	D	E	Diameter of Applicable Pipe [mm]	Net Hole [mm]
FV-VGX100P	120	97	145	13	47	100	2.5 x 2.5
FV-VGX150P	169	147	195	18	52	150	2.5 x 2.5
FV-VCX100P	120	97	145	13	47	100	-
FV-VCX150P	169	147	195	18	52	150	-

Ventilating Fan - Ceiling Mount Type

Park Hotel, Tsim Sha Tsui
Royal View Hotel, Ting Kau
Vision City, Tsuen Wan
Rambler Oasis Hotel, Tsing Yi
Metro Park Hotel, Kowloon
Lake Silver, Wu Kai Sha
Palazzo, Sha Tin
The Dynasty, Tsuen Wan
Festival City, Tai Wai

Pun Tak Building, Causeway Bay
No.12 Broadwood Road
Emerald Green, Yuen Long
Star River, Macau
Gold Coast Hotel, Tuen Mun
VTC, Tuen Mun
The Mediterranean, Sai Kung
Panda Hotel, Tsuen Wan

Ventilating Fan - High Pressure Industrial Type

Stanley Ho Sports Centre, HKU
OTIS
Tunnel CLP Power Station, Tseung Kwan O
The Great Hill, Sha Tin
Lohas Park, Tseung Kwan O

International Christine School HK, Sha Tin
Fujitec Lifts
The Hermitage
Panda Hotel, Tsuen Wan
Shek Mun Estate Phase 2

Air Moving Equipment - Low-noice Type Cabinet Fan

Park Island, Ma Wan
MGM Grand Hotel, Macau
Peak One, Sha Tin
The Vineyard, Yuen Long
W-Hotel, Kowloon Station
The Harbour View Place, Kowloon Station
Le Point, Tin Keng Leng
Coastal Skyline, Tung Chung
One Central Macau Residences, Macau
Langham Hotel, Tsim Sha Tsui
Greenview Villa, Tsing Yi
The Apex, Kwai Chung
Yoho Town, Yuen Long

Florient Rise
Valais
No. 5-11, South Bay Road, Repulse Bay
6 Shiu Fai Terrace
Century Gateway, Tuen Mun
Double Cove, Ma On Shan
Billionnaire Avant, Kowloon City
Riva, Yuen Long
Nova City, Macau
Savannah, Tseung Kwan O
Monterey, Tseung Kwan O
One Prestige, Tseung Kwan O
Phase 16 Discovery Bay

Air Moving Equipment - Mini Sirocco Fans

Royal Park Hotel, Sha Tin
Schindler Lifts
Green Code, Fanling

PCCW Tower
Royal Garden Hotel

Air Curtain

2008 Olympic Equestrian Venue, Sha Tin
Margaret Hospital
Asia Air Freight Terminal Expansion
HAECO
The Hong Kong Community College, Poly U
Mong Kok East Station
Link Management
Mannings
North District Government Offices
Post Office, Wah Ming Estate, Fanling
Buddhist Wong Wan Tin College, Shatin
Palace Mall, Tsimshatsui
Hyland Theatre, Tuen Mun

Ruttonjee Hospital
Ambulatory Medical Service Block, Tung Wah
Eastern Hospital
The Hong Kong Polytechnic University
Marco Polo Hong Kong Hotel
Sha Tin Town Hall
Miramar Shopping Centre, Tsimshatsui
Regal Riverside Hotel
St. Paul Hospital
Courtyard by Marriott Hong Kong Sha Tin Hotel
Grand Hyatt Hotel, Wai Chai
The Chinese University of Hong Kong
Popcorn, Tseung Kwan O